

BM-621USB 数字界面麦克风

■ 前言

尊敬的用户:

感谢您选购得胜BM-621USB数字界面麦克风,为了您能够更好的了解及使用本产品,建议您在使用前仔细阅读本说明书。

若存在有疑问或者您有宝贵的建议,可通过拨打得胜官方服务热线400 6828 333或微信扫描二维码关注得胜官方公众号与我们联系。



■ 产品特性

1. 专为网络会议、语音聊天、便携录音、网络直播等场合而设计的界面式麦克风;
2. 采用USB2.0声卡芯片,适用于iOS、Windows、Mac系统,免驱动,即插即用;
3. 内置心型指向咪头,拾音距离远,定位准,声音更清晰;
4. 采用射频干扰(RFI)屏蔽技术,屏蔽手机信号的干扰;
5. 具有150Hz低频衰减开关,有效降低环境噪音的拾取;
6. 底部设计防滑胶垫,防止麦克风滑动时也降低了桌面震动带来的影响;
7. 触摸式静音开关,消除传统开关的机械噪声;
8. 小巧便携,操作简便,满足移动式录音需要。

■ 标准配置

BM-621USB麦克风..... 1只
 Mini USB数据线(规格:Φ4mm*2.3m).....1条
 说明书.....1份

01

BM-621USB 数字界面麦克风

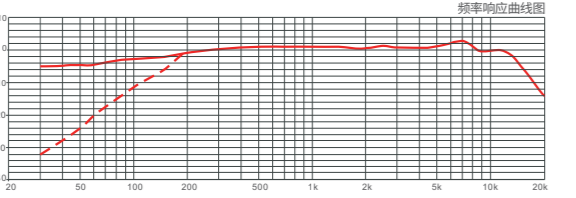
■ 系统要求

适用于iOS、OSX 10.9以上、Win7以上
(提示:连接iphone及ipad需另外配套lightning至USB转接头)

■ 适用范围

手机/平板/电脑:网络会议、语音聊天、便携录音、网络直播等
适用平台:好视通、MSN、Skype、QQ、喜马拉雅FM等

■ 技术参数



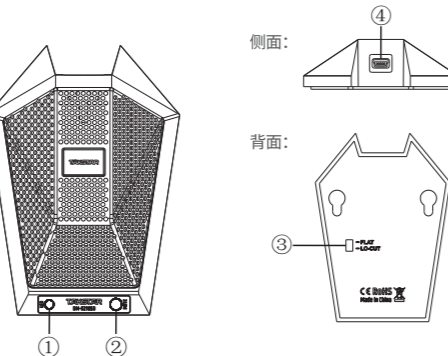
- 音头: Φ12mm电容音头
- 灵敏度: -5dBFS±2dBFS
- 供电模式: USB (DC 5V/500mA)
- 失真度: ≤1.5% at 1KHz
- 数据传输: USB连接线
- 信噪比: ≥65dB
- 采样率: 44.1/48KHz
- 低切: 150Hz 6dB/Oct
- 比特率: 16bit
- 尺寸: 72.5*101*23mm
- 指向性: 心型指向
- 净重: 210g
- 频率响应: 50Hz-16KHz

02

BM-621USB 数字界面麦克风

■ 功能示意

- ① 静音指示灯: 指示灯长亮绿灯为拾音状态; 指示灯熄灭为静音状态;
- ② 静音开关: 通过触摸开关实现拾音及静音状态之间循环切换。初始为拾音状态,指示灯长亮绿灯; 触摸静音开关,指示灯熄灭,为静音状态; 再次触摸静音开关,指示灯长亮绿灯,恢复拾音状态;
- ③ 低切按钮: 拨到“FLAT”位置时,声音浑厚有力; 拨到“LO-CUT”位置时,声音清晰明亮;
- ④ Mini USB接口: 通过Mini USB数据线可直接与电脑连接,如需连接iphone或ipad则需要另外购买lightning至USB转接头。



03

BM-621USB 数字界面麦克风

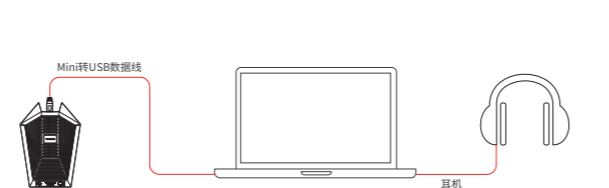
■ 使用方法

一、软件下载

- ① 在手机或电脑APP市场下载“好视通”、“MSN”、“Skype”、“QQ”、“喜马拉雅FM”等应用软件;
- ② 也可以通过网页浏览下载,搜索APP软件名称,注意根据手机及电脑系统下载相应版本。

二、网络会议/聊天

- ① 将麦克风和电脑通过Mini USB数据线连接起来,电脑将自动识别麦克风并完成驱动安装;

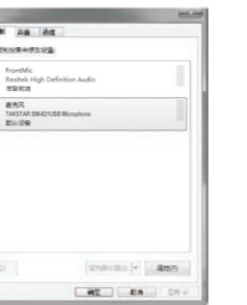


04

BM-621USB 数字界面麦克风

■ 使用设置

Windows: 将系统喇叭的“录音”设备设置为默认设备;



- ③ 将耳机或有源音箱连接到电脑的耳机接口;
- ④ 开启视频会议软件、即时通讯软件或录音软件,即可进行网络会议、语音聊天及播音、课件录制等等。(windows系统下,如果电脑录音音量过大,可以适当调小电脑录音设备的录音音量即可)

05

BM-621USB 数字界面麦克风

■ 驱动设置

macOS: 进入系统偏好设备下的声音设置,将输入设备选择为“TAKSTAR BM-621USB Microphone”



06

BM-621USB 数字界面麦克风

■ 手机直播/录音

- ① 将Mini USB数据线一端与麦克风Mini USB接口连接,另一端与lightning至USB转接头连接,然后将lightning至USB转接头连接到iphone或ipad的数据接口;
- ② 将耳机连接到手机的耳麦接口;
提示:此连接方法只适用于苹果5S、6S等(带3.5插孔)的手机,苹果7以上的(不带3.5插孔)的手机无法接耳机进行实时监听
- ③ 麦克风与手机连接好后,需要等待10秒钟以上再开启直播或录音软件。



■ 故障处理

一、麦克风开启后指示灯不亮或声音忽大忽小

1. 检查麦克风USB插头是否连接到位,重新插拔试试;
2. 连接电脑时,如果是台式机,建议连接到主机背后插孔;如果是连接iphone或ipad,建议先将麦克风与lightning至USB转接头连接好后,再连接到iphone或ipad上;

07

BM-621USB 数字界面麦克风

■ 无法监听到麦克风的声音

1. 连接电脑使用时,需打开系统喇叭的录音设备,在“TAKSTAR BM-621USB Microphone”设备的属性选项中将侦听选项勾选;
2. 连接iphone或ipad时,需要开启APP软件的耳返功能,才能监听到麦克风的声音。
- 三、无法录制麦克风声音或录制声音过小
1. 连接电脑使用时,检查“TAKSTAR BM-621USB Microphone”设备的麦克风音量是否调得过小,调节之后看是否能恢复正常;
2. 连接iphone或ipad使用时,检查APP软件的麦克风音量是否调得过小,调节之后看是否能恢复正常;
3. 若连接iphone或ipad发现声音仍然是从手机内置咪拾取的情况时,请检查手机是否开启了多个直播或录音软件,退出多余的软件,确保只打开一个直播或录音软件;如果还是不能拾取声音,将连着麦克风的lightning至USB转接头插拔一下即可。

■ 连接有源音箱时产生啸叫

提示:由于麦克风电灵敏度比较高,不建议连接音箱使用,否则容易产生啸叫;如果必须要接,请按下面方法操作:

1. 如果使用的软件本身有回音消除功能,请设置为开启状态;
2. 将麦克风的拾音部分背对有源音箱,同时保持适当的距离;
3. 减小麦克风音量或有源音箱输出音量。

08

BM-621USB 数字界面麦克风

■ 注意事项

- 为避免电击、高温、着火、辐射、爆炸、机械危险以及使用不当等可能造成的人身伤害或财产损失、使用本产品前,请仔细阅读并遵守以下事项:
1. 使用产品时请合理调整音量大小,不要在大音量下长时间使用,以免造成听力损伤;
 2. 使用中若发现有异常(如冒烟、异味等),请立即关闭电源开关并拔掉电源插头,然后将产品送经销商检修;
 3. 本产品及配件都应放置在室内干燥通风处,勿长期存放在潮湿、灰尘多的环境;使用中避免靠近火源、雨淋、进水、过度碰撞、抛掷、振动及覆盖通风孔,以免损坏其功能;
 4. 若产品需要固定于墙壁或天花板上时,请确保固定到位,防止因固定强度不足导致产品发生跌落危险;
 5. 使用本产品时需遵守相关安全规定,法律法规明确禁止的使用场合请勿使用本机,以免导致意外事故;
 6. 请不要自行拆机改装或维修,以防止出现人身伤害,如有问题或服务需求请联系当地经销商跟进处理。

09



扫一扫,了解更多产品
Scan for more
product information

广东省电声工程技术研究开发中心
广东得胜电子有限公司制造

地址:广东省惠州市博罗县龙溪镇富康一路2号
服务热线:400 6828 333 传真:0752-6383950
邮箱:xs@takstar.com
网址:www.takstar.com

Guangdong Takstar Electronic Co., Ltd.
Address: No. 2 Fu Kang Yi Rd., Longxi Boluo
Huizhou, Guangdong 516121 China
Tel: 86 752 6383644 Fax: 86 752 6383952
Email: sales@takstar.com
Website: www.takstar.com

产品服务保证书

■ 注意事项:

1. 本单为保修凭证,请用户妥善保管,如有遗失,恕不保修或退换。
2. 保修期限制:购买之日起十二个月内。
3. 除了不可抗力事件损坏外,由本公司负责,免费维修。
4. 如属保管不善或使用不当造成的损坏,维修点将酌情收费。
5. 擅自拆卸维修者,不予保修。
6. 以上保修条款仅限于中国内地适用(不包含港澳台地区)。

姓名: _____ 电话: _____ 地址: _____

商品: _____ 型号: _____ 购买日期: _____

| 日期 | 维修员签名 | 维修记录栏(由维修员填写) |
|----|-------|---------------|
| | | |
| | | |
| | | |
| | | |
| | | |
| | | |

广东得胜电子有限公司 ◆ 电话: 400-6828-333 ◆ 地址: 广东省惠州市博罗县龙溪镇富康一路2号

BM-621USB Digital Boundary Microphone

■ Preface

Dear Customer,
Thank you for purchasing Takstar BM-621USB boundary microphone. Please read the user manual carefully before operation and keep it for reference in future. If you have any question or suggestion, please contact our local dealer

■ Features

1. Tailored for network conference, voice chat, mobile recording, network live broadcast
2. USB2.0 sound card chip without driver suits for iOS, windows, Mac systems, plug and play
3. Built-in cardioid directional capsule features long pickup distance, accurate directivity and clearer sound quality
4. RFI shielding technology isolates the mobile phone signal interference
5. 150Hz low cut switch effectively reduce the pickup of ambient noise
6. Anti-skidding rubber pads prevent from microphone skidding and reduce the vibration from table
7. Touch mute switch for eliminating the mechanical noise of the traditional switch
8. Compact, portable, and easy operation for mobile recording

■ Product Content

BM-621USB microphone..... 1 pc
Mini USB data cable (Dimensions: Φ4mm*2.3m) 1 pc
User Manual 1 pc

09

BM-621USB Digital Boundary Microphone

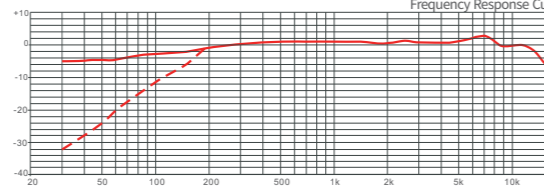
■ Compatibility

iOS, OSX 10.9 or more advanced version, Win7 or more advanced version
(Note: Connecting with iPhone or iPad needs a MAC lightning to USB3 camera adapter)

■ Application

Network live broadcast, network conference, network broadcast, voice chat, mobile recording
Suitable platform: video conference software or voice chat software, MSN, Skype, etc

■ Specification



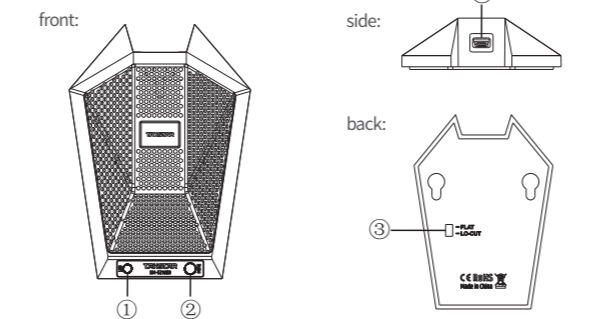
- | | |
|---|-----------------------------|
| ○ Capsule: Φ12mm condenser capsule | ○ Sensitivity: -5dBFS±2dBFS |
| ○ Power Supply Mode: USB (DC 5V /500mA) | ○ Distortion: ≤1.5% at 1KHz |
| ○ Data Transmission: USB connection cable | ○ S/N Ratio: ≥65dB |
| ○ Sample Rate: 44.1/48KHz | ○ Low Cut: 150Hz 6dB/Oct |
| ○ Bit Rate: 16bit | ○ Dimension: 72.5*101*23mm |
| ○ Polar Pattern: cardioid | ○ Net Weight: 210g |
| ○ Frequency Response: 50Hz-16KHz | |

10

BM-621USB Digital Boundary Microphone

■ Function Diagram

- ① Mute LED: that this LED lights up green means the microphone is in pickup status. This LED lights off means the microphone is in mute status.
- ② Mute switch: switch pickup status and mute status via the touching switch. Initially it is in pickup status and the LED lights up green. Touch the mute switch, the LED lights off and the microphone is in mute status. Touch the mute switch again, the LED lights up green, the microphone returns back to pickup status.
- ③ Low cut switch: set the switch to "FLAT" position, the sound is powerful. Set the switch to "LO-CUT" position, the sound is clear and bright.
- ④ Mini USB port: connect with PC via the mini USB data cable. Connecting with iPhone or iPad needs MAC lightning to USB3 camera adapter.



11

BM-621USB Digital Boundary Microphone

■ Microphone Operation

A. Software download

- ① Download the video conference software or voice chat software from the mobile phone or computer APP software market.
- ② Or search APP software in the website and download it, identify the mobile phone and computer system to download correspondingly.

B. Video conference or voice chat

- ① Connect the microphone with computer via mini USB data cable. The PC automatically identifies the microphone and then installs the driver.

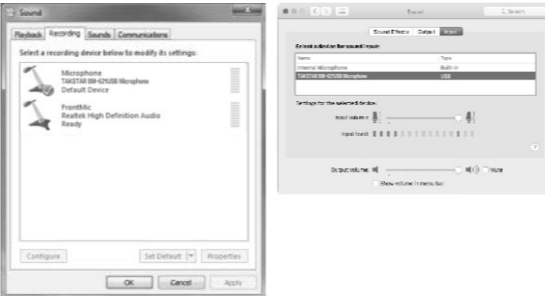


12

BM-621USB Digital Boundary Microphone

② Driver setting

Windows: Set the system recording equipment TAKSTAR BM-621USB Microphone as the default equipment.



③ Connect the headset or active speaker cabinet with the computer headset connector.

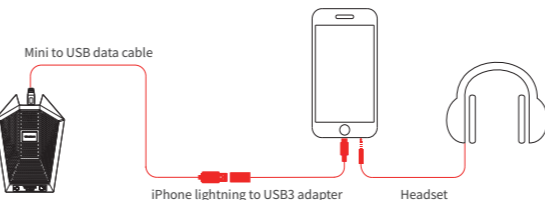
- ④ Start the video conference software, live communication software or recording software to begin network conference, voice chat or broadcast, courseware recording (in windows system, if the computer recording volume is too high, reduce the recording equipment volume)

13

BM-621USB Digital Boundary Microphone

C. Mobile phone live broadcast/recording

- ① Connect the mini USB data cable with Mini USB of the microphone, and then with MAC lightning to USB3 camera adapter. Then connect MAC lightning to USB3 camera adapter with the data connector of iPhone or iPad
- ② Connect the headset with iPhone headset connector. Note: this connection way only suits for iPhone 5S or iPhone 6S (designed with 3.5 connector). iPhone 7 or more advanced version (designed without 3.5 connector) can not connect with headset for monitoring.
- ③ After the microphone connected with mobile phone, it needs waiting for more than 10 seconds and then starts live broadcast or recording software.



■ Trouble Shooting

A. After turning on the microphone, LED does not light up or sound volume is unstable.

1. Check if the microphone USB plug is connected well. Reconnect it.
2. If the computer is desktop one, connect with the rear connector. If you want to connect with iPhone or iPad, it is recommended to connect the microphone with iPhone lightning to USB3 adapter, then connect with iPhone or iPad.

14

BM-621USB Digital Boundary Microphone

B. The microphone sound can not be monitored

1. When connecting with computer for operation, user needs to select the recording equipment in the system. In the TAKSTAR BM-621USB Microphone equipment attribute items, select Monitor.
2. When connecting with iPhone or iPad, it needs to turn on the monitor function on APP software to monitor the microphone sound.

C. The microphone sound can not be recorded or the recorded sound volume is too low

1. When connecting with computer for operation, check if the volume of TAKSTAR BM-621USB Microphone is set to a too low level. Increase the volume level and check the result.
2. When connecting with iPhone or iPad, check if the microphone volume of APP software is set to a too low level. Increase the volume level and check the result.
3. After connecting with iPhone, the sound is still picked up by the built-in microphone. Please check if the iPhone has multiple live broadcast softwares or recording softwares on, only keep one and close the rest. If the sound isn't still picked up, replug the iPhone lightning to USB3 adapter.

D. Feedback happens after connecting with active speaker cabinet.

Note: Due to the high sensitivity of the microphone, it is not recommended to connect with speaker for operation, otherwise it is easy to cause feedback. If it is necessary to connect speaker cabinet, please follow the steps below:

1. If the software has eliminating feedback function, set it to ON status.
2. Keep the microphone cartridge against the active speaker cabinet, and away to a proper distance.
3. Reduce the microphone volume or the active speaker cabinet output volume.

15

BM-621USB Digital Boundary Microphone

■ Cautions

To avoid electric shock, over temperature, catching fire, radiation, explosion, mechanical risk and hurt or property loss caused by improper use, please read the following items carefully before operation:

1. Adjust the volume to proper level during operation. Do not operate at high volume level to avoid hearing loss.
2. If abnormal phenomenon (smoke, abnormal smell) happens, please turn off the power switch and disconnect the power plug with power socket immediately, and send the product to local dealer for maintenance.
3. The product and accessories should be put in dry and ventilated place rather than humid or dusty environment. Prevent the product from fire, liquid, rain, water, over-colliding, throwing, vibrating, vent hole covered to avoid function destroyed.
4. When the product needs to be installed on wall or ceiling, please fix it tightly to avoid dropping risk.
5. Please abide by safety rules during operation. Do not use the product in the place prohibited by regulation or law to avoid accident.
6. Do not disassemble or repair the product by yourself to avoid hurt. If you have question or need service, please contact the local dealer.

16

TAKSTAR 得勝

BM-621USB

数字界面麦克风
DIGITAL BOUNDARY MICROPHONE



www.takstar.com