

# TAKSTAR® 得胜

## 演讲咪 DA10S

SPEECH MICROPHONE



使用手册 User Manual

## ■ Product

Dear Customer,

Thank you for purchasing TAKSTAR DA10S speech microphone. Please read the user manual carefully before operation and keep it for reference in future. If you have any questions or suggestions, please contact our local dealer.

## ■ Features

- Combining microphone, power amplifier and speaker together, suitable for speech, publicity, karaoke
- Rare earth material speaker, light weight, excellent sound, high volume, peak power 10W
- One button to switch between MC mode and KTV mode, easy operation
- Wireless playing function without the trouble of cable connection, more convenient to play music
- Volume adjusting function to adjust the volume based on the venue
- Built-in DSP chip with the feedback rejecting function to reject feedback effectively
- Ultra-long standby, turning off automatically after no signal input for 15 minutes to save the power consumption
- High capacity Lithium battery for energy saving and environmental protection, approximately 8h operation time
- Compact design, comfortable to hold, suitable for reinforcement and karaoke for a long time

## ■ Application

Speech, publicity, karaoke, etc.

## ■ Product content

DA10S speech microphone	1pc
Windscreen	1pc
Type-C charging cable	1pc
User manual	1pc

## ■ Specification

### Specification

Frequency Response: 100Hz-15kHz

Peak Power: 10W

Speaker Impedance: 4Ω

THD: THD ≤ 5% 1KHz@4R,4W

S/N Ratio: 66dB (A-Weighted)@1W 4Ω (speech mode)

Wireless Playback: V5.3

Reverb: Reverb

Operating Voltage: 3.4V-4.2V

Battery Type: Li-ion battery (18650)

Battery Capacity: 3.7V/2600mAh

Charging: DC5V=1.5A

Charging Time: approx. 4h

Operation Time: approx. 8h (speech)

Net Weight: approx. 202g

Dimension: Φ64mm\*254mm (Dia\*H)

## Cartridge Specification

Cartridge: back electret

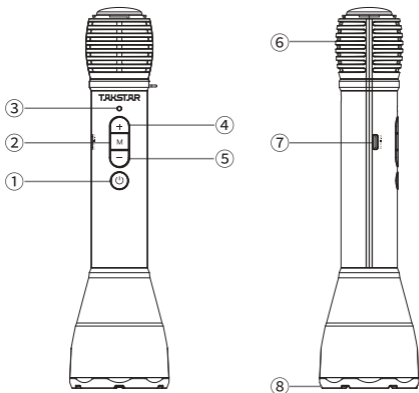
Polar Pattern: unidirectional

Frequency Response: 150Hz-16KHz

Sensitivity:  $-47.5 \pm 1.5 \text{dB}$  (0dB=1V/Pa, at 1KHz)

Note: The data is tested by Takstar Laboratory and Takstar has the final interpretation right!

## Function

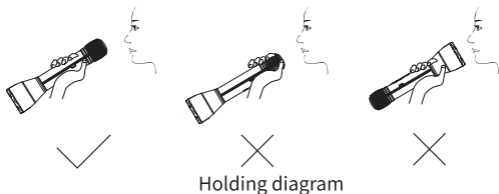


- ① Power button: Keep pressing it for 2 seconds to turn on or off the amplifier. If it is not used for 15 minutes, it will automatically power off.

- ② "M" button: Click it to cycle through 7 modes (i.e., speech mode, host mode, karaoke mode, Bluetooth mode, monster mode, child mode, anime mode), accompanied by corresponding voice prompt. (Note: Hold M button for 2s to auto switch to speech mode)
- ③ Indicator light: If it keeps lighting up green during operation, this means sufficient power supply. If the power can last for less than 1h, it keeps lighting up red. It flashes red when charged. If it keeps lighting up green, this means it is fully charged.
- ④ "+" button: Click it to increase the volume of the amplifier. A total of 5 levels of volume can be chosen.
- ⑤ "-" button: Click it to decrease the volume of the amplifier. There is no mute function.
- ⑥ Cartridge: When speaking, the mouth should be as close as possible to the pickup, generally 3-5 cm. Do not cover the cartridge with your hands; otherwise it will easily produce feedback.
- ⑦ Charging interface: Connect to the Type-C charging cable. Please use a charging head with a specification of 5V = 1.5A and 3C certification to charge the amplifier.
- ⑧ Speaker: Do not put the speaker too close to people's ears to avoid hearing damaging. Please try to keep the speaker clean.

Note: When the product is used for the first time, it is recommended to fully charge it first; when it is fully charged, please stop charging the battery to avoid overcharge; if it is

not used for a long time, it needs to be charged once every six months to avoid over discharge of the battery, which will affect the battery performance.



### ■ Wireless pairing method

When the product is used for the first time, it needs to be paired with a mobile phone or a wireless playing device. The steps are as follows:


1. Power up the mic and press "M" button to switch to Bluetooth mode.
2. Enter SETTINGS menu on your phone, find and enable Bluetooth, wait until "TAKSTAR DA10S" is discovered and tap on it to connect. If connected successfully, you should be able to play audio wirelessly through the mic.
3. Next time you switch to Bluetooth mode, it will automatically pair to the previously connected device. Switching to other mode will disable wireless connection automatically.



### ■ Caution

In order to avoid possible personal injury or property damage caused by electric shock, high temperature, fire, radiation, explosion, mechanical hazards and improper use, please read and observe the following items carefully before using the product.

1. Please do not put the speaker close to people's ears to avoid hearing damage.
2. If there is any abnormality (such as smoke, odor, etc.) during use, please turn off the power switch and unplug the power plug immediately, and then send the product to the dealer for maintenance.
3. The product and accessories should be placed indoors in a dry and ventilated place. Do not store them in a humid and dusty environment for a long time. Avoid getting close to fire, rain, water, excessive collision, throwing, vibrating the machine and covering the ventilation holes during use, so as not to damage its function.
4. When using the product, you must abide by the relevant safety regulations. Please do not use the product in the occasions that are clearly prohibited by laws and regulations to avoid accidents.
5. Please do not disassemble, refit or repair the product by yourself to prevent personal injury. If you have any questions or service needs, please contact our local dealer for follow-up.
6. If you use a power adapter to supply power, you should purchase and use a power adapter that has obtained CCC certification and meets the standard requirements.

## ■ Label Meanings

 This device is compliant with the limits of the European Council Directive on the approximation of the laws of the member states relating to electromagnetic compatibility according to RL2004/108/EG and European Low Voltage Directive RL2006/95/EG.

 This symbol indicates that this product should not be disposed of with your household waste, according to  the WEEE directive (2012/19/EU) and your national law. This product should be handed over to an authorized collection site for recycling waste electrical and electronic equipment (WEEE). Improper handling of this type of waste could have a possible negative impact on the environment and human health due to potentially hazardous substances that are generally associated with WEEE. At the same time, your cooperation in the correct disposal of this product will contribute to the effective usage of natural resources. For more information about where you can drop off your waste equipment for recycling, please contact your local city office, waste authority, or your household waste disposal service.



## ■ About This Manual

This manual contains up-to-date technical specifications as of printing. However, specifications contained herein may not conform to your particular product since Takstar is constantly improving its products. Also, specifications, devices or accessories available may vary from region to region. If you have any questions, please contact our local sales outlet. For the latest version/more information, please visit our website: <https://www.takstar.com/>

### 注意事项:

1. 本单为保修凭证, 请用户妥善保管, 如有遗失, 恕不保修或退换。
2. 保修期限制: 购买之日起十二个月内。
3. 除了不可抗力事件损坏外, 由本公司负责, 免费维修。
4. 如属保管不善或使用不当造成的损坏, 维修点将酌情收费。
5. 擅自拆卸维修者, 不予保修。
6. 以上保修条款仅限于中国市场适用 (不含港澳台地区)。

### 产品服务保证书

姓名: \_\_\_\_\_ 电话: \_\_\_\_\_ 地址: \_\_\_\_\_

商品: \_\_\_\_\_ 型号: \_\_\_\_\_ 购买日期: \_\_\_\_\_ 年 \_\_\_\_\_ 月 \_\_\_\_\_ 日

维修记录栏 (由维修员填写)	维修员签名	日期

◆广东得胜电子有限公司 ◆电话: 400-6828-333 ◆地址: 广东省惠州市博罗县龙溪街道富康一路2号



**广东省电声工程技术研究开发中心  
广东得胜电子有限公司制造**

地址：广东省惠州市博罗县龙溪街道富康一路2号

服务热线：400 6828 333 传真：0752-6383950

邮箱：xs@takstar.com

网址：www.takstar.com

Guangdong Takstar Electronic Co., Ltd.

Address: No. 2 Fu Kang YiRd., Longxi Boluo

Huizhou, Guangdong 516121 China

Tel: 86 752 6383644 Fax: 86 752 6383952

Email: sales@takstar.com

Website: www.takstar.com

CMIIT ID:24J442C6U465 中国制造 Made in China