

TAKSTAR® 得胜



XC-4R

无线一拖四麦克风

4-Channel Wireless Microphone System

使用手册 | User Manual

■ Preface

Dear Customer,

Thank you for purchasing Takstar XC Series 4-Channel Wireless Microphone System.

To better understand and use the product, please read this manual thoroughly.

If you have any questions or suggestions, please contact our local dealer.

■ Features

XC-4R Wireless Receiver

- Utilizes UHF and digital pilot tone to avoid interference and crosstalk.
- DPLL multi-channel frequency synthesis provides up to 200 channel options with a 250KHz channel spacing within a 50MHz bandwidth for multi-system use.
- Automatic pairing enables quick sync of transmitters and receivers.
- High/low power switch for venues over/under 1000m².
- Stable 150m transmission range in line of sight.
- Automatic channel scanning simplifies installation.
- One-key lock prevents accidental changes.
- 50 preset frequency groups for flexible multi-system use.
- Electronic volume control from 0-39 in 2dBm increments.
- Headphone monitoring with independent volume control.

XC-TH Conference Base Transmitter

- UHF & digital pilot tone for interference-free communication.
- DPLL multi-channel frequency synthesis with 200 channel options.
- Quick and convenient automatic pairing.
- Stable signal transmission up to 150m in clear areas.
- One-key mute for flexible control.
- LCD screen for real-time status updates.
- Rechargeable lithium battery with Type-C charging.
- High-sensitivity condenser capsule for clear, natural sound.
- Compatible with gooseneck/rectangular plug-in mics for versatile use.

XC-TD Wireless Handheld Microphone

- UHF & digital pilot tone for interference-free communication.
- DPLL multi-channel frequency synthesis with 200 channel options.
- Quick and convenient automatic pairing.
- High/low power switch for venues over/under 1000m².
- Stable signal transmission up to 150m in clear areas.
- High-performance dynamic capsule for clear speech.
- LCD screen for real-time status updates.
- Built-in rechargeable lithium battery with Type-C charging.

XC-TP Wireless Bodypack Microphone

- UHF & digital pilot tone for interference-free communication.
- DPLL multi-channel frequency synthesis with 200 channel options.
- Quick and convenient automatic pairing.
- Stable signal transmission up to 150m in clear areas.
- High/low power switch for venues over/under 1000m².
- One-key lock function to avoid misoperation.
- LCD screen for real-time status updates.
- Compact and lightweight design, compatible with headset and lapel mics.

■ Applications

Pro sound amplification in conferences, lecture halls, multi-purpose halls, etc.

■ Package Contents

XC-4R

- 1 × Receiver
- 1 × Audio Cable
- 1 × Power Adapter
- 2 × UHF Antenna
- 1 × User Manual

XC-TD

- 1 × Handheld Mic
- 1 × Rechargeable Li-ion Battery
- 1 × Charging Cable

XC-TP

- 1 × Bodypack Transmitter
- 1 × Earset Microphone
- 1 × Lavalier Microphone
- 2 × AA Battery

XC-TH

- 1 × Conference Mic Base
- 1 × Rechargeable Li-ion Battery
- 1 × Charging Cable
- 1 × Rectangular Plug-in Mic
- 1 × Gooseneck Plug-in Mic

■ Specifications

XC-4R Receiver

- Receiver Type: Double-conversion superheterodyne
- Intermediate Frequency: 110MHz (1st IF), 10.7MHz (2nd IF)
- Wireless Interface: BNC/50Ω
- Sensitivity: 12dBμV (80dBS/N)
- Sensitivity Adjustment Range: 12-32dBμV
- Spurious Rejection: ≥75dB
- Maximum Output Level: +10dBV
- Power Supply: DC 12V/1A

XC-TH Conference Mic Base Transmitter

- Antenna Type: Built-in spiral antenna
- Output Power: High Power 20mW
- Spurious Rejection: -60dB
- Gooseneck/Rectangular Mic Capsule: Condenser
- Battery: 2600mA 18650 Li-ion
- Battery Life: Over 10 hours

XC-TD Handheld Transmitter

- Antenna Type: Built-in spiral antenna
- Output Power: High Power 30mW; Low Power 10mW
- Spurious Rejection: -60dB
- Handheld Mic Capsule: Dynamic
- Battery: 4.2V 2600mA 18650 Li-ion
- Battery Life: Over 6 hours at 30mW; Over 12 hours at 10mW

XC-TP Bodypack Transmitter

- Antenna Type: 1/4 wavelength whip antenna
- Output Power: High Power 10mW; Low Power 3mW
- Spurious Rejection: -60dB
- Lavalier/Earset Mic Capsule: Condenser
- Battery: 2 × 1.5V AA Batteries
- Battery Life: Over 10 hours at 10mW; Over 15 hours at 3mW

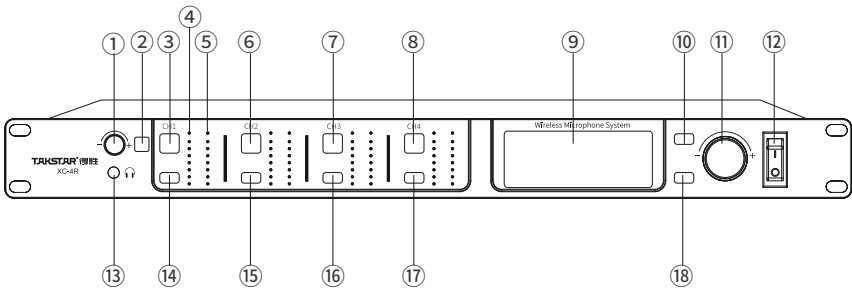
General Parameters

- Frequency Range: 610MHz-690MHz
- Modulation Method: Wideband FM
- Adjustable Range: 60MHz
- Number of Channels: 200
- Channel Spacing: 300KHz
- Frequency Stability: Within $\pm 0.005\%$
- Dynamic Range: >85dB
- Max Frequency Deviation: $\pm 45\text{kHz}$
- Audio Response: 80Hz-18kHz ($\pm 3\text{dB}$)
- Overall S/N Ratio: >85dB
- Overall Distortion: $\leq 0.5\%$
- Operating Temperature: -10°C to $+45^{\circ}\text{C}$
- Power Supply: DC 12V/1A

Note: The above data are measured by Takstar laboratory which has the final interpretation right!

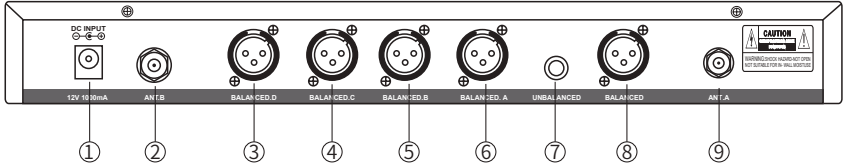
Function Descriptions

Receiver Front Panel



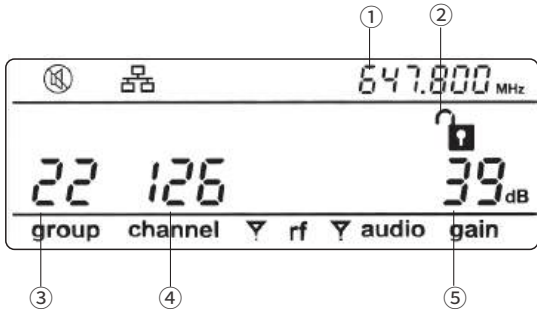
- | | |
|------------------------------------|-----------------------------------|
| ① Monitor Volume Control Knob | ⑩ Lock Key |
| ② Infrared Transmission Window | ⑪ Function Adjuster |
| ③ Display Switch Key for Channel 1 | ⑫ Power Switch |
| ④ RF Display | ⑬ Monitor Headphone Jack |
| ⑤ AF Volume Indicator | ⑭ Infrared Sync Key for Channel 1 |
| ⑥ Display Switch Key for Channel 2 | ⑮ Infrared Sync Key for Channel 2 |
| ⑦ Display Switch Key for Channel 3 | ⑯ Infrared Sync Key for Channel 3 |
| ⑧ Display Switch Key for Channel 4 | ⑰ Infrared Sync Key for Channel 4 |
| ⑨ Display Screen | ⑱ Auto Search Key |

Receiver Back Panel



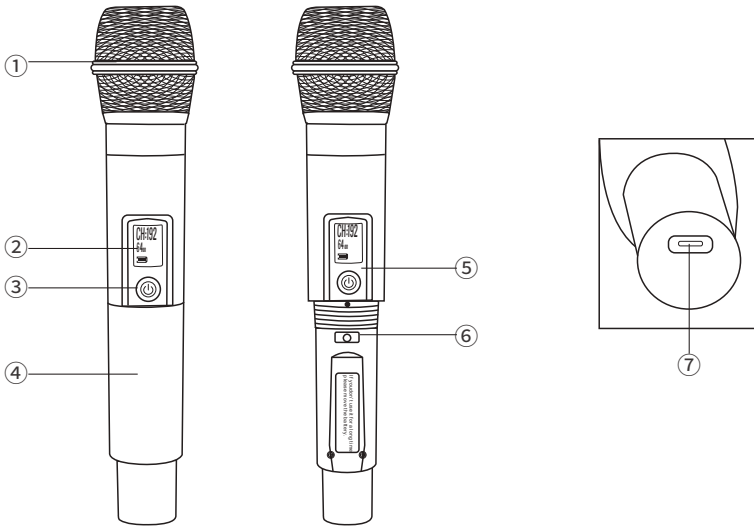
- ① Power Interface
- ② Antenna Interfaces for Channels 3 & 4
- ③ Balanced Output for Channel 4
- ④ Balanced Output for Channel 3
- ⑤ Balanced Output for Channel 2
- ⑥ Balanced Output for Channel 1
- ⑦ Mixed Unbalanced Output
- ⑧ Mixed Balanced Output
- ⑨ Antenna Interfaces for Channels 1 & 2

Display Screen Interface



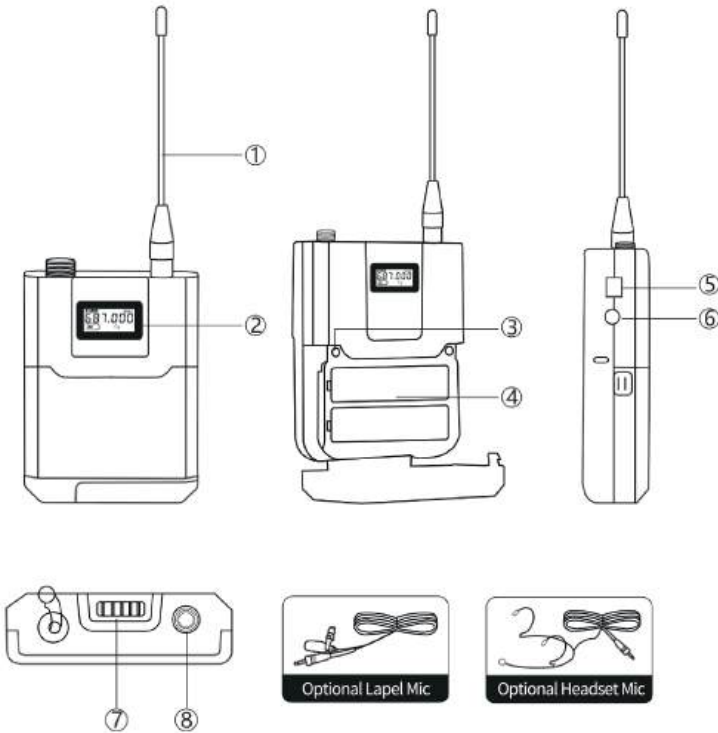
- ① Frequency info
- ② Lock status
- ③ Workgroup info
- ④ Channel info
- ⑤ Volume info

XC-TD Handheld Transmitter



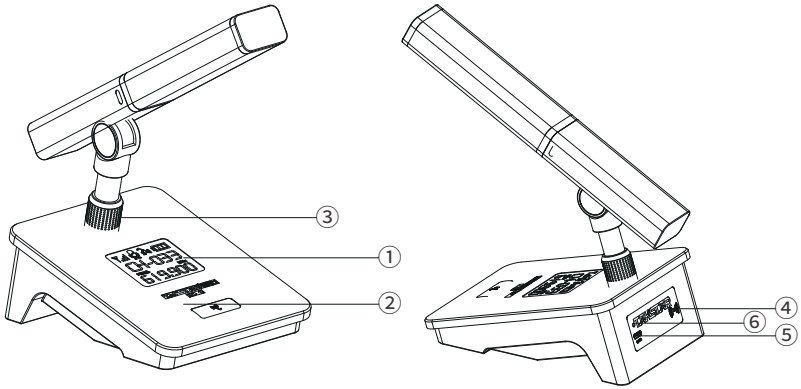
- ① Grille and Capsule: This device is a crucial component that converts sound into an audio signal. The foam lining inside the grille can eliminate noise and protect the mic element within the module.
- ② LCD Display: Shows channel, operating frequency, battery level, power level, and other info.
- ③ Power Switch: Press and hold to turn the mic power on or off.
- ④ Mic Body: On the top assembles the grille and capsule, inside houses the battery, transmission circuit board, with transmission antenna built in at the bottom.
- ⑤ Infrared Sync Window: Used with the receiver's "Sync" button to transmit frequency parameters to the transmitter.
- ⑥ Transmission Power Switch: When the power is on, press and hold to adjust the power level. "P-Hi" indicates high power, "P-Lo" indicates low power.
- ⑦ Type-C Interface: Use a Type-C charging cable to connect the adapter for mic charging.

XC-TP Bodypack Transmitter



- ① Antenna: A 1/4 wavelength whip antenna.
- ② LCD Display: Shows battery level, working channel, power status, and other info.
- ③ Infrared Sync Window: Used with the receiver's "Sync" button to transmit frequency parameters to the transmitter.
- ④ Battery Compartment: Loads two AA batteries.
- ⑤ High/Low Power Switch: When the power is on, press and hold to adjust the power level. "RF-Hi" indicates high power, "RF-Lo" indicates low power.
- ⑥ Lock Key Switch: Press and hold to lock or unlock the system.
- ⑦ Power Switch: Set to "ON" to power on, set to "OFF" to power off.
- ⑧ Mic Input Jack: Used to connect a lavalier or headset mic.

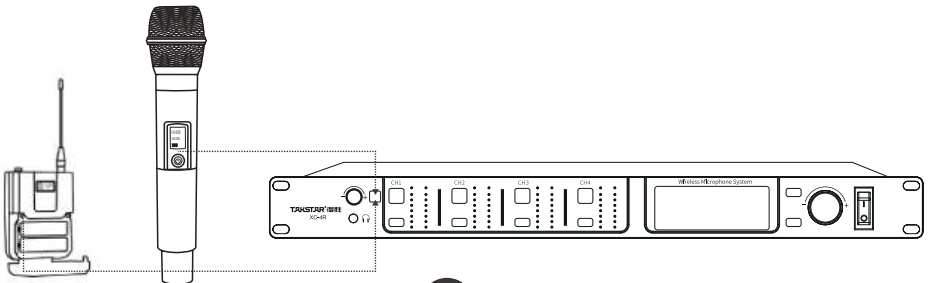
XC-TH Conference Transmitter



- ① Display Screen: Shows the current pickup status, battery level, channel, frequency, and other info.
- ② Power/Mute Switch: Press and hold to power on or off. When powered on, press to enable or disable mute mode.
- ③ 4-Pin Mic Input Socket: Used to install or replace the plug-in mic.
- ④ Infrared Sync Window: Used with the receiver's "Sync" button to transmit channel parameters to the transmitter.
- ⑤ Type-C Interface: Use a Type-C charging cable to connect the adapter for mic charging.
- ⑥ Power Indicator Light: During charging, the indicator light shows red; when fully charged, the indicator light shows blue.

■ Operating Instructions

Operating Guide for XC-4R Receiver



1. Frequency Sync

Power on both the receiver and the transmitter. Align the infrared window of the receiver with that of the transmitter, keeping a distance within 30cm. Press the "Sync" button on the receiver corresponding to the desired frequency channel to enter the sync mode. Once the frequencies of the transmitter and receiver are matched, the receiver will display RF indication and battery level, indicating successful synchronization. Note: If synchronization fails, repeat the above steps.

2. Automatic Interference-Free Frequency Search

When powered on, press and hold the "Scout" button on the receiver for 3 seconds to enter the automatic scanning mode, which quickly and accurately finds interference-free available channels.

3. Frequency Adjustment

Switch to the display of the desired channel, and press the function adjuster on the receiver repeatedly until the channel display area on the screen blinks. Then, rotate the function adjuster to adjust to a desired receiver frequency, and press to confirm and save.

4. Frequency Group Selection

Switch to the display of the desired channel, and press the function adjuster on the receiver repeatedly until the workgroup display area on the screen blinks. Then, rotate the function adjuster to adjust to a desired receiver workgroup, and press to confirm and save.

5. Volume Adjustment

Switch to the display of the desired channel, and press the function adjuster on the receiver repeatedly until the volume display area on the screen blinks. Then, rotate the function adjuster to adjust the volume, and press to confirm and save.

6. System Lock/Unlock

When powered on, press and hold the "Lock" button to lock the receiver. When locked, all function buttons are disabled. Press and hold the "Lock" button again to unlock and restore button functionality.

Operating Guide for XC-TD Handheld Transmitter

1. Press and hold the power switch to turn on the mic. The LCD display screen will light up, showing the current working channel, battery level, and other info.
2. To change the working channel, first change the channel on the receiver, then align the infrared sync window of the transmitter with that on the receiver. Press the "Sync" button on the receiver to transmit the new frequency parameters to the transmitter. (Refer to the receiver's Frequency Adjustment section for details.)

Operating Guide for XC-TP Bodypack Transmitter

1. Battery Installation: Open the battery compartment of the bodypack transmitter and install two AA batteries according to the marked polarity. Ensure that the batteries are inserted correctly and then close the battery compartment.
2. Insert the plug of a headset or lavalier mic into the mic input jack of the transmitter and secure it.
3. Set the power switch of the bodypack transmitter to the "ON" position to power on. Align the infrared receiving window of the transmitter with that of the receiver, keeping a distance within 30cm. Press the "Sync" button on the receiver corresponding to the desired frequency channel for synchronization. (Refer to the receiver's Frequency Adjustment section for details.)
4. Adjust the power level of the transmitter according to actual needs.

Operating Guide for XC-TH Conference Transmitter

1. Install the gooseneck mic into the 4-pin mic input socket of the conference transmitter.
2. Press and hold the power button of the conference transmitter to power on. Align the infrared receiving window of the transmitter with that of the receiver, keeping a distance within 30cm. Press the "Sync" button on the receiver corresponding to the desired frequency channel for synchronization.
3. When the conference transmitter is powered on, press the power button to mute the mic, and the red indicator light will turn off.
4. It is recommended to maintain a pickup distance of approximately 20-50cm during speaking.

■ Troubleshooting

Issues	Causes
No indication on transmitter and receiver	<ul style="list-style-type: none"> - Transmitter battery is depleted. - Ensure proper connection of the receiver power supply.
No RF signal on receiver	Transmitter and receiver are on different frequencies or beyond reception range.
RF signal present, but no audio signal	<ul style="list-style-type: none"> - Mic not connected to transmitter, or receiver squelch set too high. - Faulty audio circuit. - Mute mode activated.
Excessive background noise in audio signal	<ul style="list-style-type: none"> - Transmitter modulation frequency deviation is too small. - Receiver output level is low. - Possible interference signals.
Audio signal distortion	<ul style="list-style-type: none"> - Transmitter modulation frequency deviation is too large. - Receiver output level is too high.
Unstable signal when using at a short distance	<ul style="list-style-type: none"> - Transmitter set to low power. - Receiver squelch set too high. - Improper antenna setup on receiver and strong electromagnetic interference in the surroundings.

■ Safety Instructions

To avoid electric shock, overheat, fire, radiation, explosion, mechanical risk and injury or property loss due to improper use, please read and observe the following items before use:

1. Please check if the power of the connected equipment matches with that of this product before operation. Adjust the volume to proper level during operation. Do not operate at over-power or high-volume level for extended time to avoid product malfunction or hearing impairment.
2. If there is any abnormality during use (e.g., smoke, strange odor), please kill the power switch and unplug from power source, then send the product to the local after-sales service for repair.
3. Never use any replacement battery with broken insulation. Do not charge non-chargeable battery.
4. Dispose waste batteries in designated dustbin for sorting. Do not use them as children's toy nor discard directly to avoid health risk or environmental damage.
5. Keep this product and its accessories in a dry and ventilated area. Do not store in a humid or dusty area for extended time. Keep away from fire, rain, liquid intrusion, bumping, throwing, vibrating, or from blocking any ventilation openings, to prevent malfunction.

6. The product must, when installed on walls or ceilings, be fixed firmly in place at adequate strength to prevent from falling.
7. Please abide by safety rules during operation. Do not use the product in places prohibited by laws or regulations to avoid accident.
8. Do not disassemble or repair the product by yourself to avoid injury. If you have any questions or require any services, please contact our local after-sales service.

■ Label Meanings



This symbol indicates that this product should not be disposed of with your household waste, according to the WEEE directive (2012/19/EU) and your national law. This product should be handed over to an authorized collection site for recycling waste electrical and electronic equipment (WEEE). Improper handling of this type of waste could have a possible negative impact on the environment and human health due to potentially hazardous substances that are generally associated with WEEE. At the same time, your cooperation in the correct disposal of this product will contribute to the effective usage of natural resources. For more information about where you can drop off your waste equipment for recycling, please contact your local city office, waste authority, or your household waste disposal service.

■ About This Manual

This manual contains up-to-date technical specifications as of printing. However, specifications contained herein may not conform to your particular product since Takstar is constantly improving its products. Also, specifications, devices or accessories available may vary from region to region. If you have any questions, please contact our local sales outlet. For the latest version/more information, please visit our website: <https://www.takstar.com/>

Copyright ©2024 TAKSTAR. TAKSTAR, 得胜 and their respective logos are registered trademarks or trademarks of Guangdong Takstar Electronic Co., Ltd. in the PRC, and/or other countries. All other trademarks are the property of their respective owners.



扫一扫, 了解更多产品
Scan for more
product information

广东省电声工程技术研究开发中心 广东得胜电子有限公司制造

地址: 广东省惠州市博罗县龙溪街道富康一路2号

服务热线: 400 6828 333 传真: 0752 6383950

邮箱: xs@takstar.com

网址: www.takstar.com

Designed & Manufactured by:

Guangdong Takstar Electronic Co., Ltd.

Address: No.2 Fu Kang Yi Rd., Longxi Boluo
Huizhou, Guangdong 516121 China

Tel: 86 752 6383644 Fax: 86 752 6383952

Email: sales@takstar.com

Website: www.takstar.com